

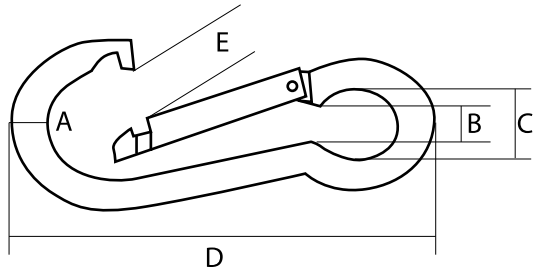


Stainless Steel



Spring Snap Hooks

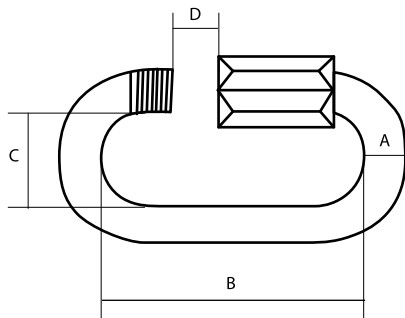
S.S. T316 & S.S. T304



A (Size)	B	C	D	E	WLL (lb)	WT (lb)
3/16"	3/16"	5/16"	2"	1/4"	120	0.04
1/4"	9/32"	5/16"	2 - 3/8"	5/16"	180	0.06
5/16"	3/8"	7/16"	3 - 1/8"	3/8"	280	0.15
3/8"	7/16"	5/8"	4"	9/16"	400	0.27
7/16"	9/16"	3/4"	4 - 3/4"	11/18"	550	0.42
1/2"	3/4"	15/16"	6 - 3/8"	1"	900	0.78

Quick Links

S.S. T316 & S.S. T304

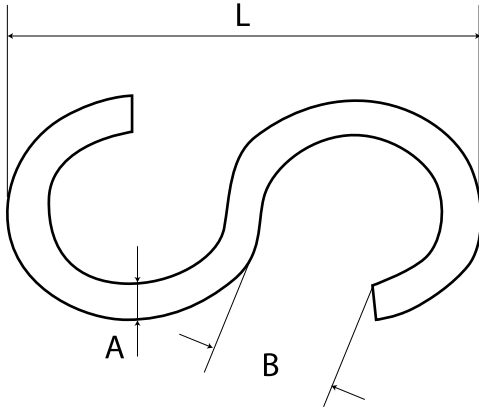


A (Size)	B	C	D	WLL (lb)	WT (lb)
1/8"	1 - 1/8"	3/8"	7/32"	300	0.02
3/16"	1 - 1/2"	1/2"	1/4"	950	0.05
1/4"	1 - 3/4"	9/16"	5/16"	1500	0.08
5/16"	2 - 1/4"	3/4"	3/8"	2400	0.18
3/8"	2 - 3/4"	7/8"	1/2"	4000	0.33
1/2"	3 - 1/4"	15/16"	9/16"	5500	0.55



S Hooks

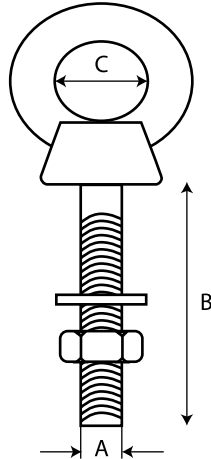
S.S. T316 & S.S. T304



A	B	L	WLL (lb)	WT (lb)
1/8"	5/32"	1 - 3/8"	30	0.01
5/32"	5/32"	1 - 5/8"	40	0.02
3/16"	5/16"	1 - 3/4"	60	0.03
3/16"	5/16"	2 - 3/8"	60	0.04
3/16"	5/16"	4 - 3/4"	60	0.06
1/4"	3/8"	2 - 1/8"	150	0.05
5/16"	7/16"	2 - 3/4"	300	0.12
3/8"	1/2"	3 - 5/8"	350	0.2

Shoulder Eye Bolts

S.S. T316 & S.S. T304
Unc Thread C/W 1 Nut & Washer

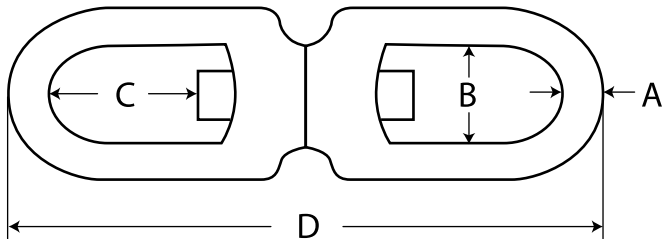


A (Size)	B	C	WLL (lb)	WT (lb)
1/4"	1 - 9/16"	9/16"	400	0.03
1/4"	2 - 5/16"	9/16"	400	0.05
1/4"	3 - 1/8"	9/16"	400	0.06
1/4"	4"	9/16"	400	0.08
5/16"	2 - 5/16"	3/4"	800	0.1
5/16"	3 - 1/8"	3/4"	800	0.13
5/16"	4"	3/4"	800	0.15
5/16"	4 - 3/4"	3/4"	800	0.17
3/8"	3 - 1/8"	1"	1000	0.22
3/8"	4"	1"	1000	0.25
3/8"	4 - 3/4"	1"	1000	0.28
1/2"	4"	1 - 5/32"	2000	0.4
1/2"	4 - 3/4"	1 - 5/32"	2000	0.45
1/2"	6"	1 - 5/32"	2000	0.5
5/8"	6"	1 - 3/8"	3200	1.1
3/4"	6"	1 - 9/16"	4700	1.6
1"	9"	2"	7500	3.55



Eye & Eye Swivels

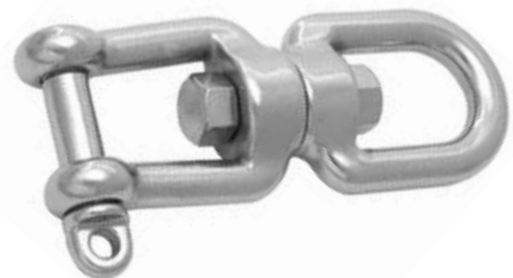
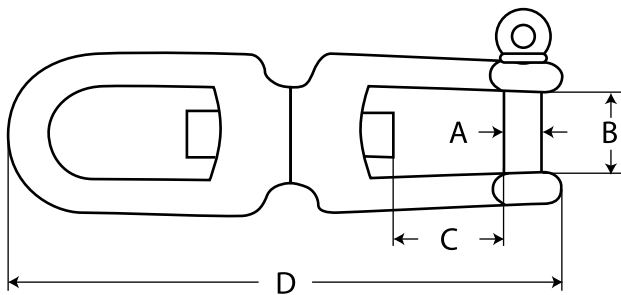
S.S. T316 - Precision Cast



A (Size)	B	C	D	WLL (lb)	WT (lb)
3/16"	1/2"	1/2"	2 - 5/16"	300	0.12
1/4"	9/16"	9/16"	2 - 9/16"	600	0.13
5/16"	3/4"	3/4"	3 - 5/8"	1100	0.28
3/8"	7/8"	1"	4 - 5/8"	1500	0.55
1/2"	1 - 1/4"	1 - 5/16"	6"	2500	1.25
5/8"	1 - 1/2"	1 - 5/8"	7 - 3/8"	4600	2.1
3/4"	1 - 5/8"	2"	8 - 1/2"	7000	3.4

Jaw & Eye Swivels

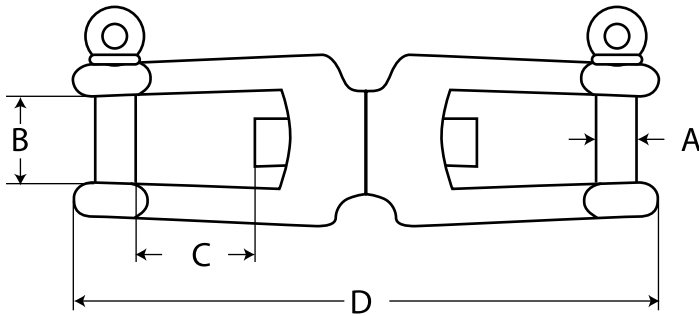
S.S. T316 - Precision Cast



A (Size)	B	C	D	WLL (lb)	WT (lb)
1/4"	1/2"	7/16"	2 - 5/8"	650	0.14
5/16"	5/8"	5/8"	3 - 5/8"	1200	0.32
3/8"	3/4"	7/8"	4 - 5/8"	1500	0.64
1/2"	1"	1 - 1/8"	6"	2600	1.4
5/8"	1 - 1/4"	1 - 3/8"	7 - 3/8"	4500	2.35
3/4"	1 - 1/2"	1 - 5/8"	8 - 5/8"	7000	3.95

Jaw & Jaw Swivels

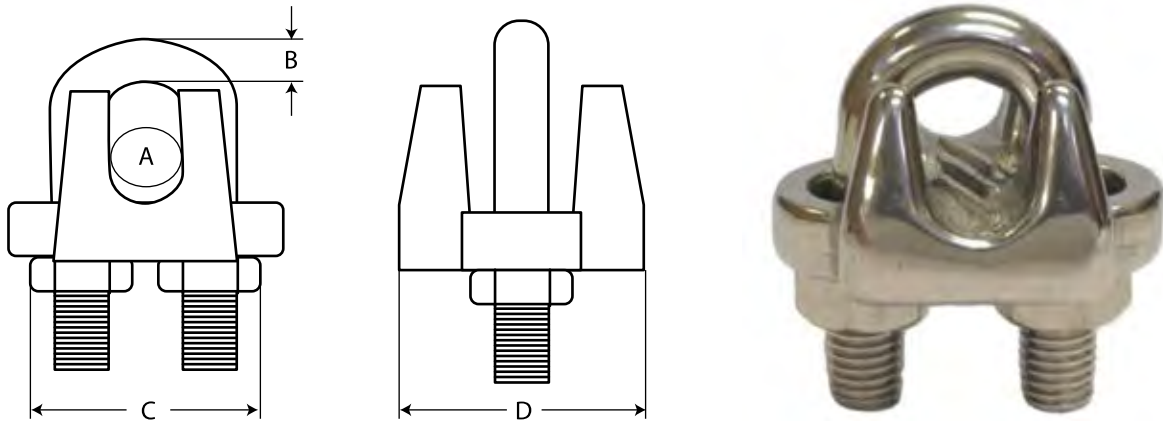
S.S. T316 - Precision Cast



A (Size)	B	C	D	WLL (lb)	WT (lb)
1/4"	1/2"	7/16"	2 - 5/8"	650	0.15
5/16"	5/8"	5/8"	3 - 5/8"	1200	0.38
3/8"	3/4"	7/8"	4 - 5/8"	1500	0.75
1/2"	1"	1 - 1/8"	6"	2600	1.5
5/8"	1 - 1/4"	1 - 3/8"	7 - 3/8"	4500	2.6
3/4"	1 - 1/2"	1 - 5/8"	8 - 5/8"	7000	4.3

Drop Forged Style Clips

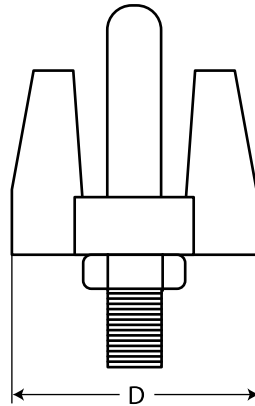
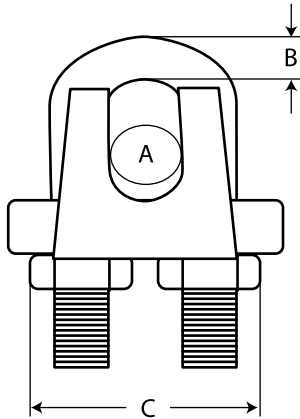
S.S. T 304 & T316 - Incl. Saddle, U-bolt & Nuts
Precision Cast Fed. Spec.: FF-C450D. Type 1



A	B	C	D	WT (lb)
1/16" - 3/32"	3/32"	1/2"	9/16"	0.02
1/8"	1/8"	5/8"	5/8"	0.03
5/32"	5/32"	3/4"	3/4"	0.04
3/16"	3/16"	7/8"	13/16"	0.06
1/4"	1/4"	1 - 1/8"	7/8"	0.1
5/16"	5/16"	1 - 3/8"	1 - 1/8"	0.18
3/8"	3/8"	1 - 3/4"	1 - 3/8"	0.35
1/2"	7/16"	2"	1 - 1/2"	0.55
9/16"	7/16"	2 - 1/16"	1 - 3/4"	0.75
5/8"	1/2"	2 - 5/16"	1 - 7/8"	0.9
3/4"	9/16"	2 - 1/2"	2 - 1/8"	1.05
7/8"	5/8"	2 - 3/4"	2 - 3/8"	1.6
1"	11/16"	3"	2 - 1/2"	1.9

Malleable Style Clips

S.S. T 304 Precision Cast

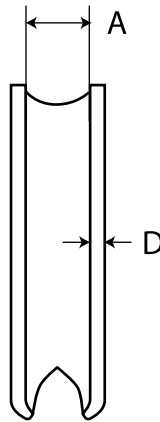
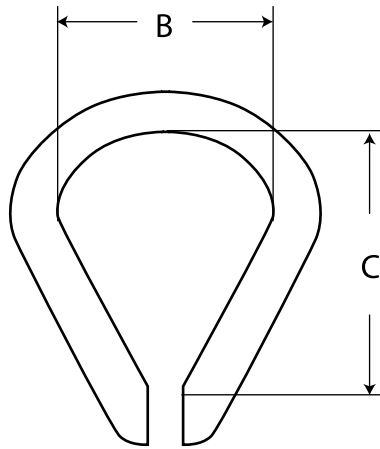


A	B	C	D	WT (lb)
1/16" - 3/32"	3/32"	3/4"	3/8"	0.03
1/8"	1/8"	3/4"	3/8"	0.05
5/32"	5/32"	7/8"	7/16"	0.06
3/16"	3/16"	1"	1/2"	0.09
1/4"	1/4"	1 - 5/32"	5/8"	0.13
5/16"	1/4"	1 - 1/4"	3/4"	0.16
3/8"	3/8"	1 - 9/16"	7/8"	0.35
1/2"	3/8"	1 - 7/8"	1"	0.44
5/8"	3/8"	2 - 1/8"	1 - 1/8"	0.59
3/4"	7/16"	2 - 3/8"	1 - 3/16"	0.88
7/8"	7/16"	2 - 1/2"	1 - 5/16"	1.1



Heavy Duty Thimbles

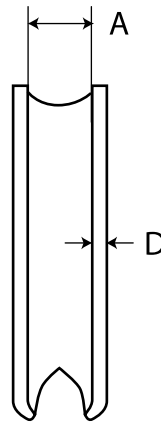
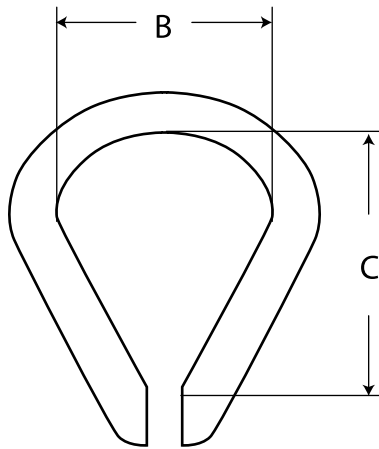
Stainless Steel T304 & T316



A	B	C	D	WT (lb)
3/16"	3/4"	1 - 3/8"	0.055	0.03
1/4"	7/8"	1 - 5/8"	0.68	0.07
5/16"	1 - 1/16"	1 - 7/8"	0.085	0.15
3/8"	1 - 1/18"	2 - 1/8"	0.12	0.24
1/2"	1 - 1/2"	2 - 3/4"	0.155	0.5
5/8"	1 - 3/4"	3 - 1/4"	0.18	0.72
3/4"	2"	3 - 3/4"	0.23	1.2
7/8"	2 - 1/4"	4 - 1/4"	0.24	1.46
1"	2 - 1/2"	4 - 1/2"	0.25	2.1

Regular Duty Thimbles

S.S. T 304 Stamped

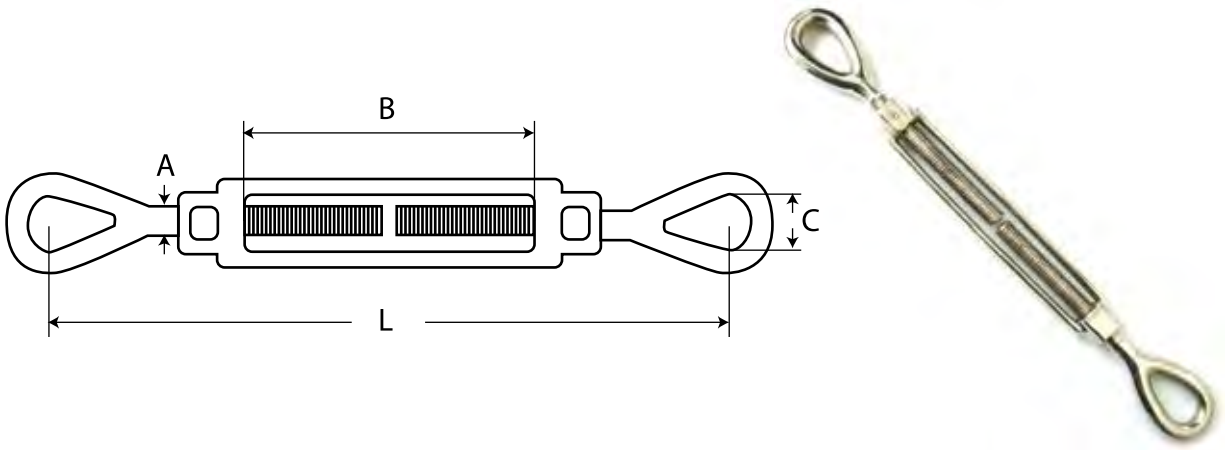


A	B	C	D	WT (lb)
3/32"	5/16"	5/8"	0.03"	0.01
1/8"	11/32"	3/4"	0.04"	0.01
5/32"	1/2"	7/8"	0.04"	0.01
3/16"	1/2"	7/8"	0.04"	0.02
1/4"	11/16"	1 - 1/16	0.05"	0.03
5/16"	7/8"	1 - 3/8	0.06"	0.04
3/8"	1"	1 5/8	0.06"	0.06
1/2"	1 - 1/4"	1 7/8	0.07"	0.09



Eye & Eye Turnbuckles

S.S. T 316 & T 304 Precision Cast U.S. Type, Hex Body turnbuckle

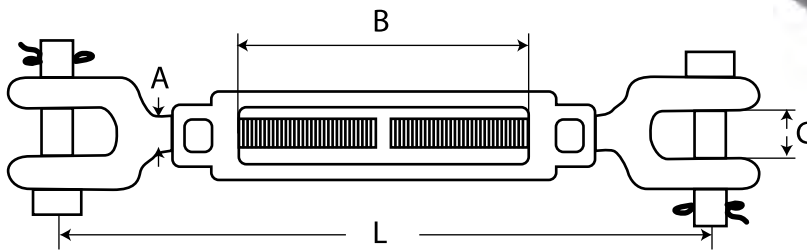


A (Size)	B	C	L
3/8"	6"	0.50"	11 - 1/2"
1/2"	6"	0.75"	13"
5/8"	6"	0.87"	14 - 1/2"
3/4"	6"	1"	16 - 14"

Also size 7/8" x 6", 1" x 6" and 1 -1/4" x 12"

Jaw & Jaw Turnbuckles

S.S. T 316 & T 304 Precision Cast U.S. Type, Hex Body Turnbuckle



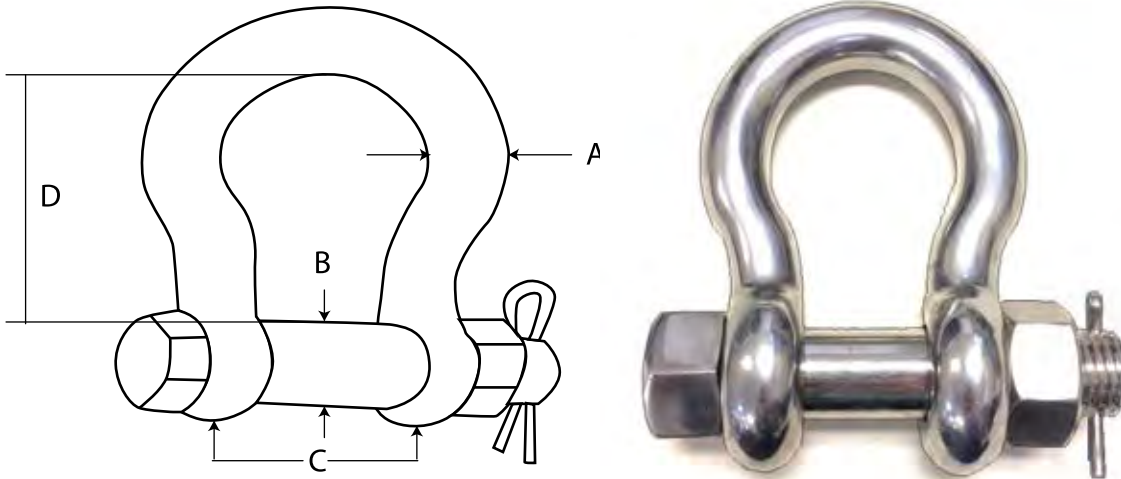
A (Size)	B	C	L
3/8"	6"	0.56"	10 - 5/8"
1/2"	6"	0.64"	12"
5/8"	6"	0.75"	13 - 1/2"
3/4"	6"	1.00"	15"

Also size 7/8" x 6", 1" x 6" and 1 -1/4" x 12"



Load Rated Bolt Type Anchor Shackles

AISI316 Stainless Steel - Oversized Bolt Pin - U.S: Type Forged

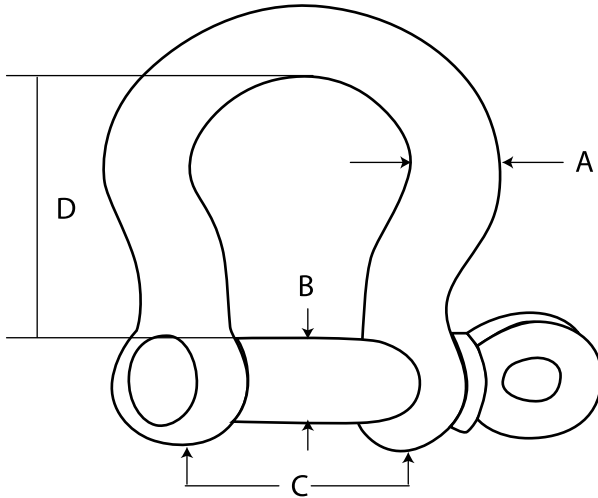


A	B	C	D	WLL	WT
Size	Pin Dia	Inside Width	Inside Length	Tons	kgs
3/16"	1/4"	0.38"	0.88"	0.33	0.027
1/4"	5/16"	0.47"	1.13"	0.50	0.048
5/16"	3/8"	0.53"	1.22"	0.75	0.086
3/8"	7/16"	0.66"	1.44"	1.00	0.152
7/16"	1/2"	0.75"	1.69"	1.50	0.248
1/2"	5/8"	0.81"	1.88"	2.00	0.355
5/8"	3/4"	1.06"	2.36"	3.00	0.699
3/4"	7/8"	1.25"	2.81"	4.00	1.145
7/8"	1"	1.44"	3.31"	5.00	1.659
1"	1 - 1/8"	1.69"	3.75"	6.00	2.163

Meets dimensions of federal specifications RR-C-271D, Type IV A, Class 3
Other sizes available on special requirement

Load Rated Screw Pin Anchor Shackles

AISI316 Stainless Steel - Oversized Bolt Pin - U.S: Type Forged



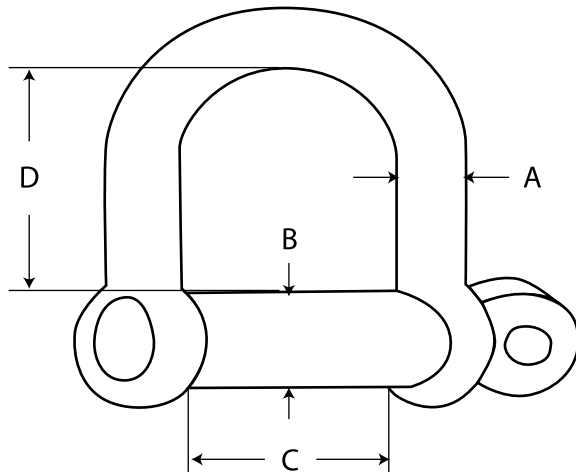
A	B	C	D	WLL	WT
Size	Pin Dia	Inside Width	Inside Length	Tons	kgs
3/16"	1/4"	0.38"	0.88"	0.33	0.026
1/4"	5/16"	0.47"	1.13"	0.50	0.046
5/16"	3/8"	0.53"	1.22"	0.75	0.082
3/8"	7/16"	0.66"	1.44"	1.00	0.145
7/16"	1/2"	0.75"	1.69"	1.50	0.236
1/2"	5/8"	0.81"	1.88"	2.00	0.338
5/8"	3/4"	1.06"	2.36"	3.00	0.666
3/4"	7/8"	1.25"	2.81"	4.00	1.090
7/8"	1"	1.44"	3.31"	5.00	1.580
1"	1 - 1/8"	1.69"	3.75"	6.00	2.060

Meets dimensions of federal specifications RR-C-271D, Type IV A, Class 3
Other sizes available on special requirement



Load Rated Screw Pin Chain Shackles

S.S. T 304 & T 316 With Oversize Pin
Cast Fed. Spec.: RR-C-271D, Type IV B, Class 2



A (Size)	B	C	D	WLL (lb)	WT (lb)
1/4"	5/16"	15/32"	7/8"	1000	0.1
5/16"	3/8"	1/2"	1"	1500	0.18
3/8"	1/2"	5/8"	1 - 1/4"	2000	0.31
7/16"	1/2"	3/4"	1 - 9/16"	3000	0.45
1/2"	5/8"	7/8"	1 - 5/8"	4000	0.68
5/8"	3/4"	1 - 1/16"	2"	6000	1.26
3/4"	7/8"	1 - 3/16"	2 - 5/16"	8000	2.1
7/8"	1"	1 - 1/2"	2 - 3/4"	10000	3.3
1"	1 - 1/8"	1 - 5/8"	3 - 1/4"	12000	4.8

Swivel Eye Blocks

S.S. T 304 With Brass Bushing Precision Cast & Stamped
Both With Removable Sheave

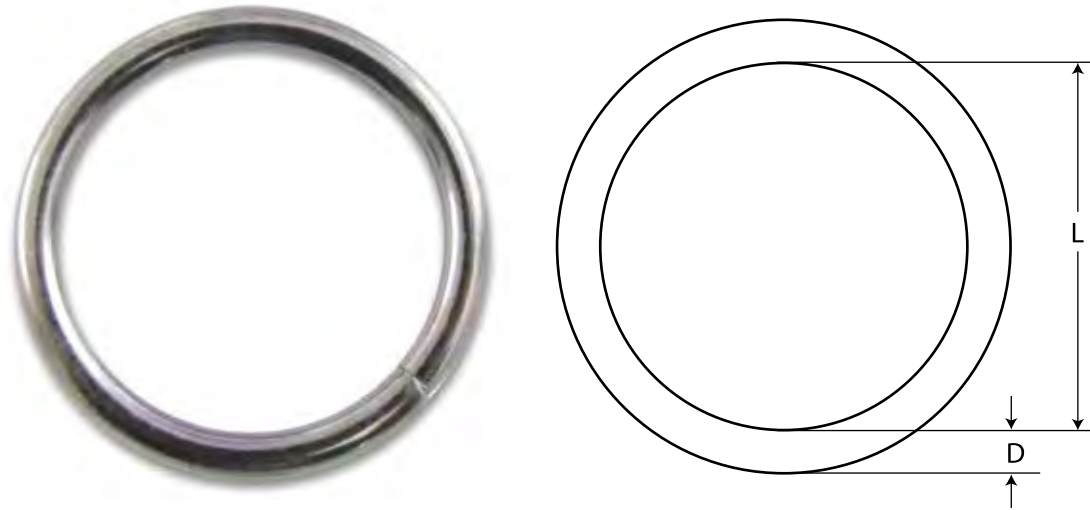


A (Sheave)	B (Rope)	C	D	WLL (lb)	WT (lb)	Note
1"	1/4"	5/16"	11/16"	550	0.3	
1 - 1/4"	5/16"	5/16"	11/16"	600	0.45	
2"	3/8"	3/8"	13/16"	1000	0.9	
1"	1/4"	5/16"	11/16"	550	0.46	Double Sheave
1 - 1/4"	5/16"	5/16"	11/16"	600	0.65	Double Sheave
2"	3/8"	3/8"	13/16"	1000	1.4	Double Sheave



Round Rings

S.S. T 304 Formed and Welded



D X L

1/8" X 3/4"

1/8" X 1"

1/8" X 1 - 3/16"

1/8" X 1 - 3/8"

1/8" X 1 - 9/16"

5/32" X 1"

5/32" X 1 - 3/16"

5/32" X 1 - 9/16"

5/32" X 2"

3/16" X 3/4"

3/16" X 1"

3/16" X 1 - 3/16"

3/16" X 1 - 5/8"

3/16" X 2"

1/4" X 1"

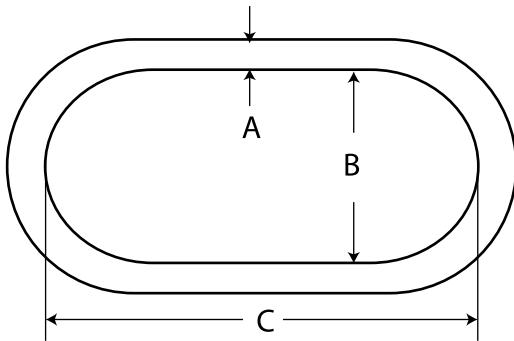
1/4" X 1 - 3/16"

1/4" X 1 - 5/8"

1/4" X 2"

Master Links

S.S. T 316 Formed and Welded
Also Drop Forged If Available



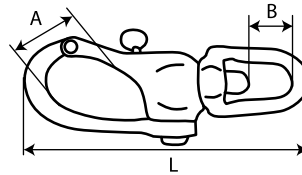
A	W	L	WLL (lb)	WT (lb)
3/8"	2"	3 - 7 / 16"	1000	0.4
1/2"	2 - 1/2"	4 - 3 / 4"	2000	0.8
5/8"	3"	5 - 3 / 4"	2850	1.38
3/4"	3 - 1/2"	6 - 1 / 2"	3800	2.5
1"	3 - 1/2"	7"	7800	4.8
1 - 1/4"	4 - 1/4"	9"	11500	9.2



Swivel Snap Shackles

S.S. T 316 Precision Cast

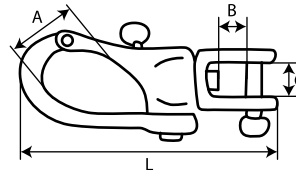
L (Size)	A	B	WLL (lb)	WT (lb)
2 - 3/4"	1/2"	1/2"	1000	0.15
3 - 1/2"	3/4"	5/8"	1500	0.26
5"	1"	1"	2100	0.75



Jaw Swivel Snap Shackles

S.S. T 316 Precision Cast

L (Size)	A	B	WLL (lb)	WT (lb)
2 - 3/4"	1/2"	3/8"	800	0.15
3 - 1/2"	5/8"	1/2"	1200	0.27
5"	1"	7/8"	1800	0.9



Fixed Snap Shackles

S.S. T 316 Precision Cast

L (Size)	A	B	WLL (lb)	WT (lb)
2"	1/2"	3/8"	1000	0.1
2 - 3/4"	3/4"	1/2"	1500	0.2
4"	1"	5/8"	2100	0.52

